

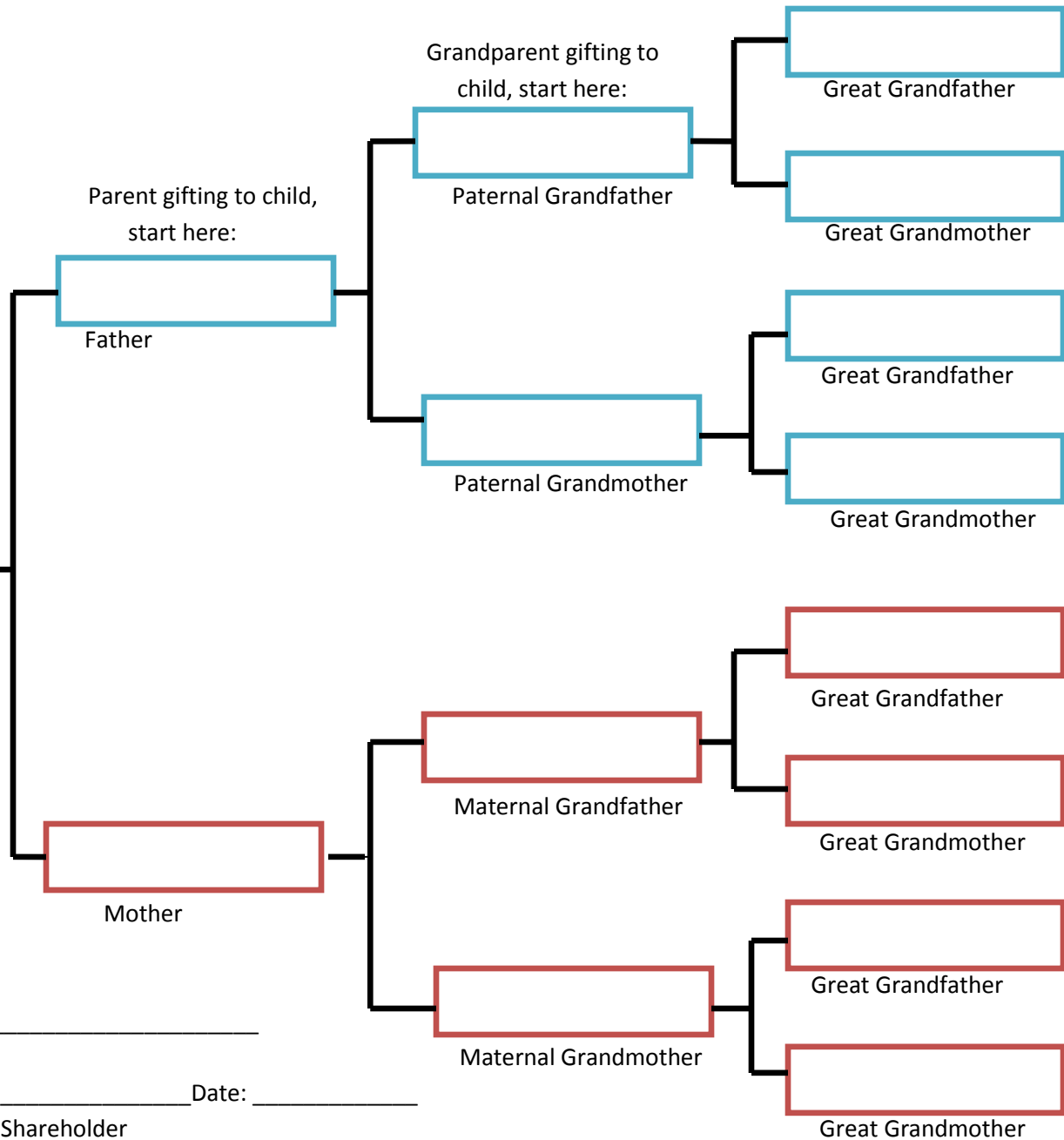


**Shareholder gifting to child/grandchild/great-grandchild:**

Attention: Shareholder Department  
 P.O. Box 1008, Nome, AK 99762  
 For assistance, call (907)443-5252

(Please Type or print legibly)

Child Name:



Shareholder printed name: \_\_\_\_\_

Shareholder Signature: \_\_\_\_\_ Date: \_\_\_\_\_

- (Check one that applies)
- An Original Shareholder
  - Received shares through inheritance or gifting



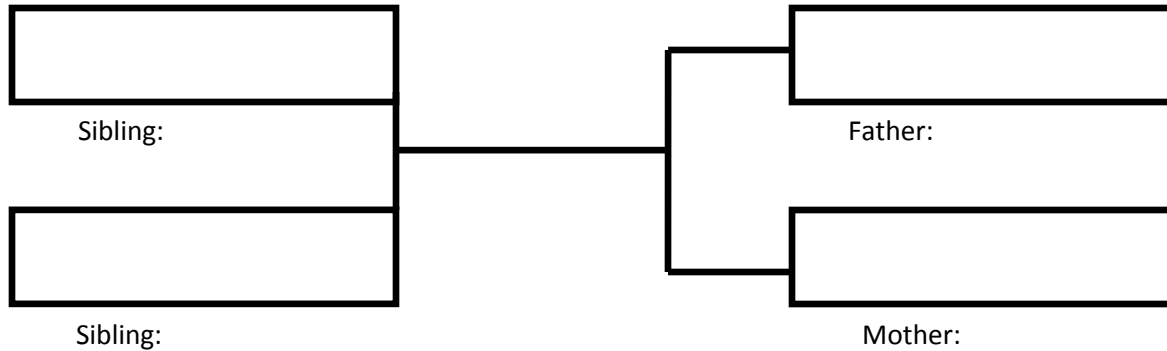
Attention: Shareholder Department  
 P.O. Box 1008, Nome, AK 99762  
 For assistance, call (907)443-5252

**SHAREHOLDER GIFTING TO SIBLING OR NIECE/NEPHEW:**

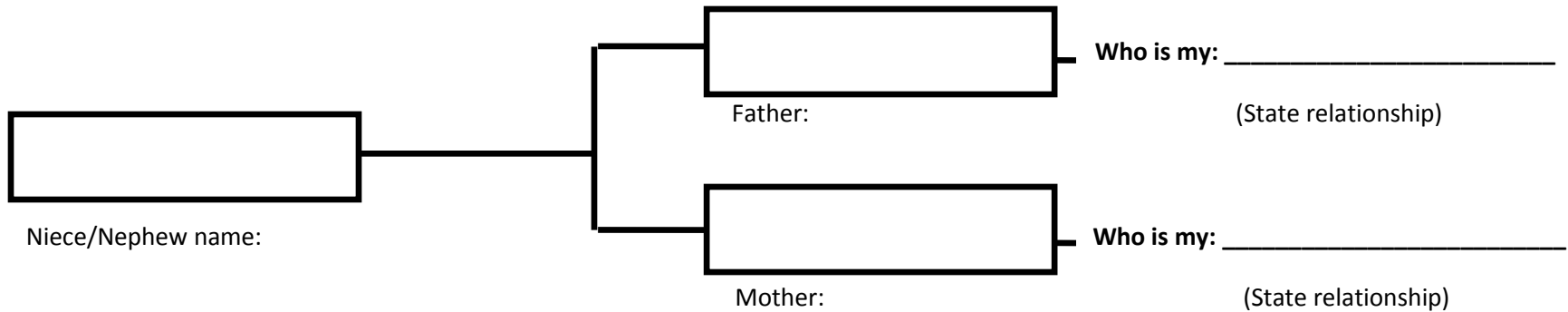
\*Gifting to a sibling, please complete section 1

\*Gifting to a Niece/Nephew, please complete section 1 and 2

**1. Shareholder gifting to sibling:**



**2. If you are gifting to a Niece or Nephew, continue here:**



Shareholder printed name: \_\_\_\_\_

Shareholder Signature: \_\_\_\_\_ Date: \_\_\_\_\_

- (Check one that applies)  An Original Shareholder  
 Received shares through inheritance or gifting